
**ANSI/BIFMA X5.1 Stability
of Broda 785 Tilt Recliner Chair**

A Report To: **Broda Enterprises Inc.**
385 Phillip St.
Waterloo, Ontario
N2L 5R8

Attention: Mr. Stephen Brotherston

Submitted By: Materials Testing

Report No. 99-J52-96-53-331(A)
4 Pages

Date: July 13, 1999

REGISTRATION

ISO 9002-1994, registered by QMI, Registration #001109.

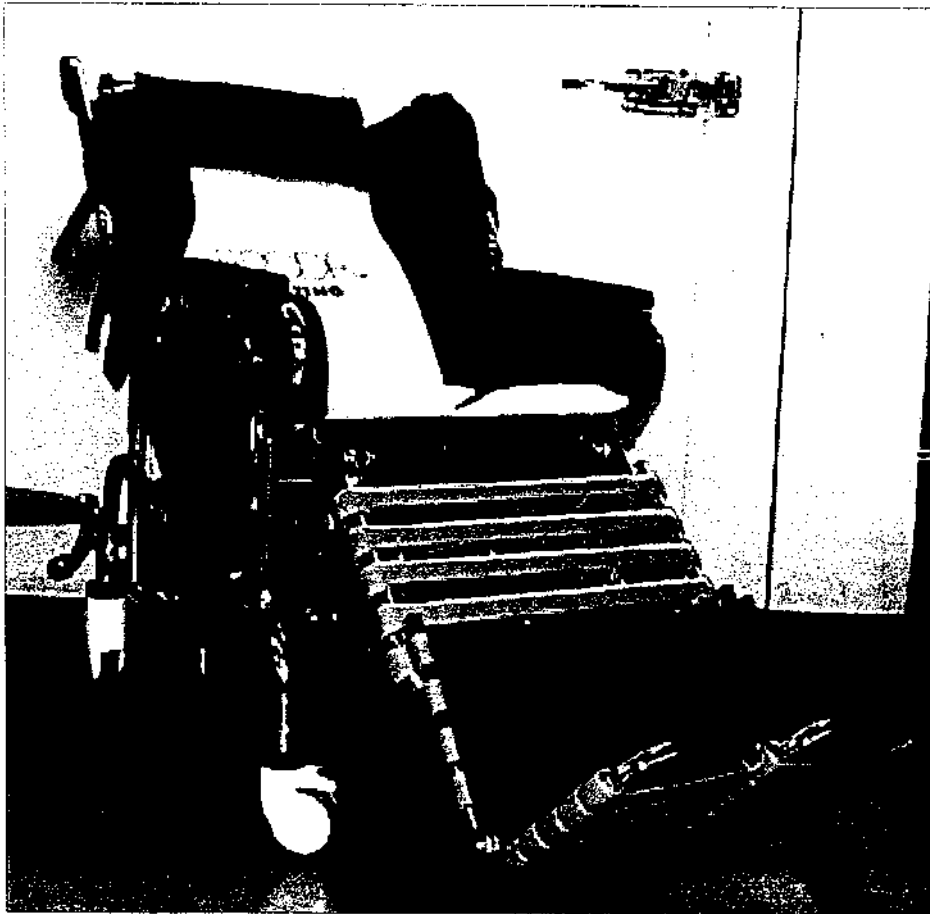
SPECIFICATIONS OF ORDER

Conduct stability test according to ANSI/BIFMA X5.1 - 1993, "General-Purpose Office Chairs - Tests", Clause 13, as per our quotation accepted May 25, 1999.

IDENTIFICATION

Geriatric chair identified as Broda 785 Tilt Recliner.

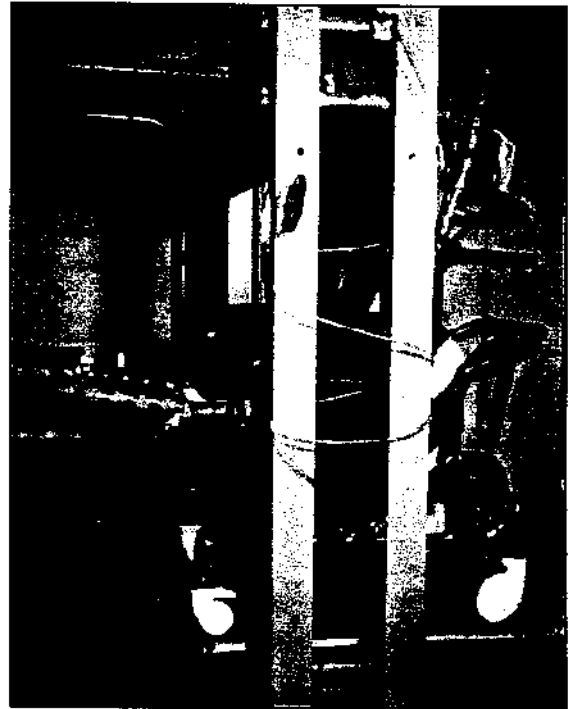
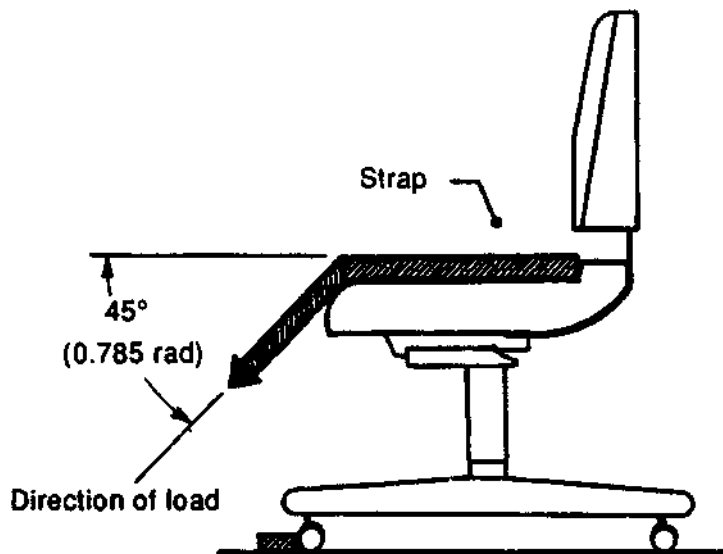
(Bodycote Ortech Inc. sample identification number 99-J52-S0331-1)



BRODA 785 TILT RECLINER

Clause 13 - Stability Test - Dynamic**Purpose of Test**

The purpose of this test is to evaluate the stability of the chair under relatively fixed conditions. Minimum acceptance levels have been established, based on the chair type, for rear stability and the chair weight for front stability.

**Summary of Test Procedure****Front Stability**

The chair is clamped on a hard, rigid, level, smooth-surface test platform. A ½ inch (12.5 mm) high block is affixed to the platform against the front casters and a downward load is applied at 45° to the test platform by attaching a specified strap, centered over the front portion of the seat. The load is increased until the total weight is transferred to the front casters.

Acceptance Level

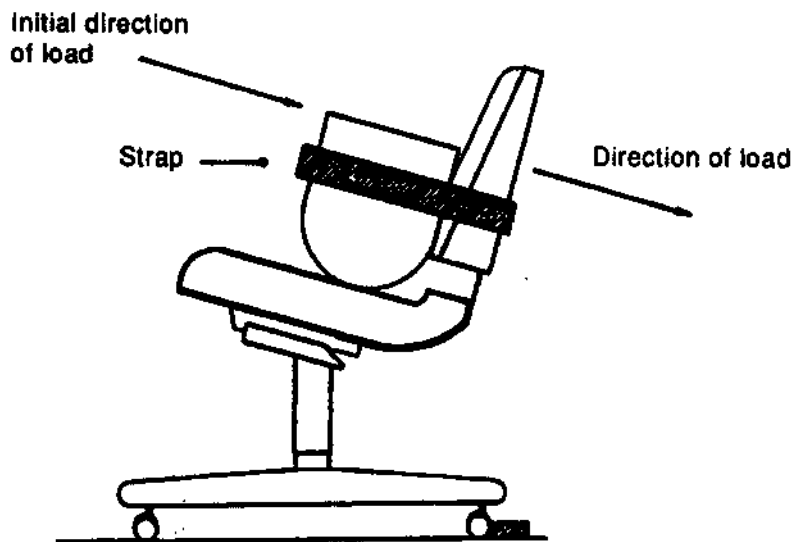
Not less than 40% of the total chair weight.

TEST RESULTS

With a chair weight of 103 lb and a minimum force of 92 lbf required to tip the chair onto its front casters, the calculated force is 89% of the chair weight.

PASS

Clause 13 (Continued) - Stability Test - Dynamic



Rear Stability

The chair is clamped on a hard, rigid, level, smooth-surface test platform. A specified 173 lb (79 kg) weight is placed on the seat and strapped to the back. A ½ inch (12.5 mm) high block is affixed to the platform against the rear casters and a rearward load is applied to the back of the chair, in the plane of the top of the weight, or the top of the back. The load is increased until the total weight is applied to the rear casters.

Acceptance Level

Rear Stability - Not less than 20 lbf (89 N) for Type I chairs

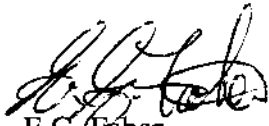
TEST RESULTS

Rear Stability - The minimum force required to tip the chair onto its rear casters was greater than 150 lbf (667 N) with the chair reclined or unreclined.

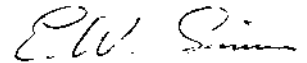
PASS

CONCLUSIONS

The Broda 785 Tilt Recliner chair described in this report complies with all the stability requirements of Clause 13 of ANSI/BIFMA X5.1 - 1993.



E.G. Faber,
Technologist.



E.W. Simmons,
Manager.