

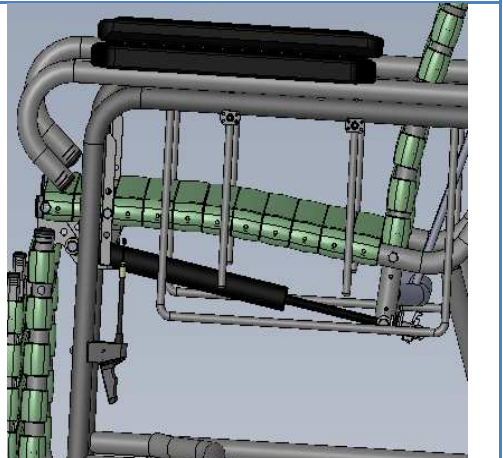
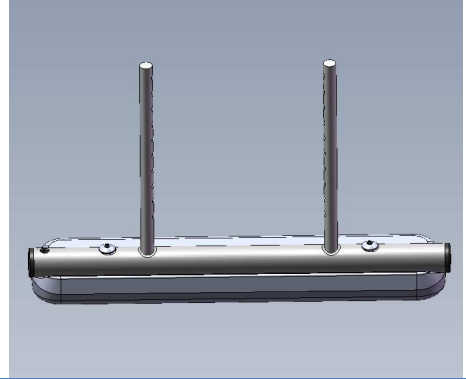


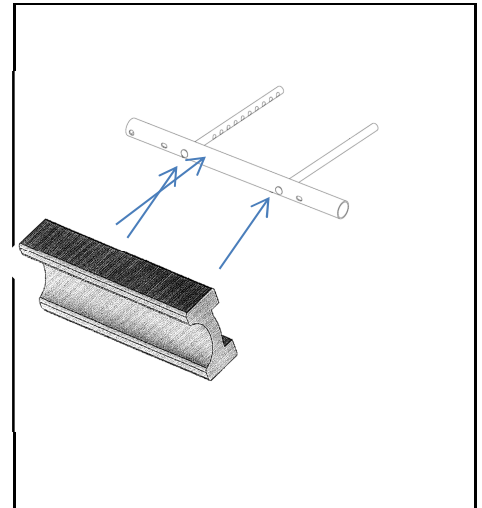
Parts Required: Arm Trough

Step	Execution	Figures
<p>1</p>	<p>You will receive the arm trough as shown. This is made of closed cell foam, and glued to an AR soft armrest, then covered with Triptex.</p>	
<p>2</p>	<p>If the model includes push pins to adjust the frame arm top, you will want to remove the arm top completely from the chair. If this is a basic model, which includes set screws to adjust the arm height. You will require a 5/32" or 4mm allen key to remove the frame arm top from the chair (see picture below).</p>	
<p>3</p>	<p>Step # 2 Continued</p>	

- 4** Once the arm top frame is removed, turn the arm top upside down on a flat surface. Unscrew the 1/4"-20 x 1 1/8" long Truss Socket Machine Screws, removing the A-3 armrest. (Keep the screws to attach the arm trough(s)).



- 5** Keep the arm top frame in the same position upside down, however position the arm trough in place of the AR armrest and secure with a 1/4"-20 x 1 1/8" long Truss Socket Machine screw.



- 6** Re-install the arm top frame the same way it was removed in Step # 2. *** Note the orientation of the arm, the overhang of the pad is mounted towards the outside of the chair.



For more information, please contact Broda Customer Care at 1-800-668-0637