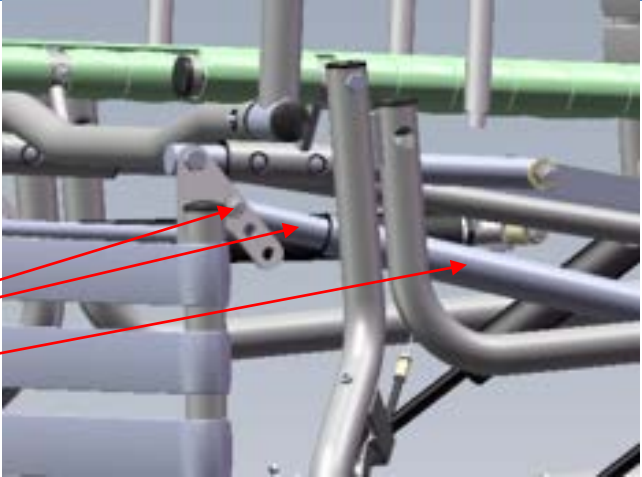
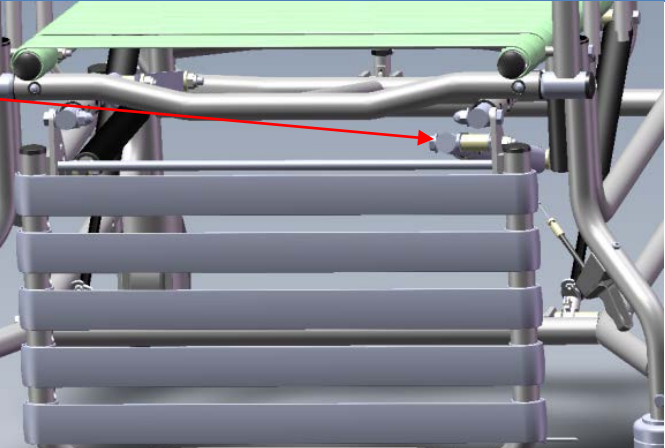


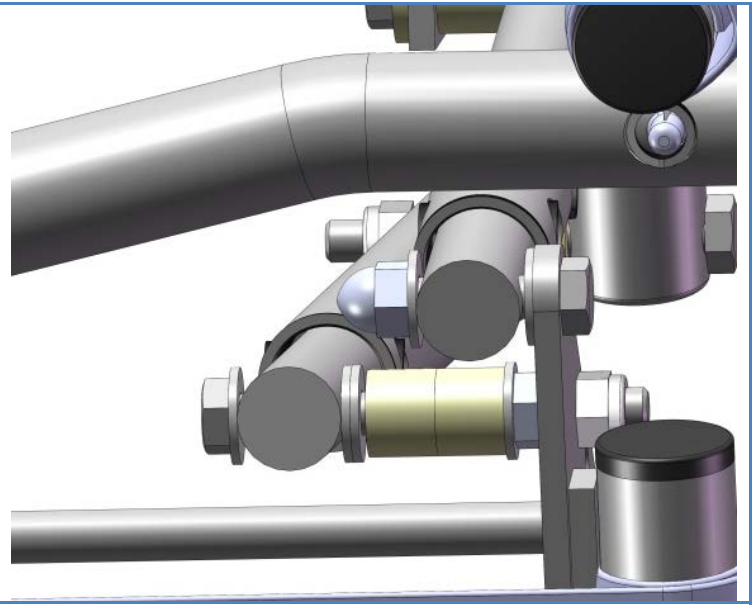
Parts Required: Elevation Rod – depth and color specific

Tools Used:

½" Wrench

Step	Execution	Figures
1	<p>Use existing hardware for replacement **Before removing any hardware, keep in mind the sequence of hardware, for the installation of the replacement elevation rod.** Note: The elevation rod is date, size and color specific, be sure to supply a serial number upon ordering a replacement.</p>	
2	<p>Standing at the front of the chair, the elevation rod is on the right hand side, positioned under the attachment rod. Using two 1/2" wrenches remove the 5/16-18 hex nut from the outer side of the elevation rod. Remove the 5/16 - 3" long bolt from the elevation rod and set hardware aside to re-use. Remove elevation rod from the elevation tube and legrest, removing completely.</p> <p>Nut that attaches elevation rod Elevation Rod Elevation Tube</p>	
3	<p>Ensure the urethane spring stopper remains in the elevation tube, do not remove. Slide the replacement elevation rod into the elevation tube.</p>	

- 4 Slide one 5/16" washer on the 5/16 - 3" bolt. Slide the bolt through the elevation rod. Slide on two more washers, then spacers, then another washer, then plain hex nut then slide through the second hole of the legrest hanger tab, finish with nylock nut. Use two 1/2" wrenches to tighten.



For more information, please contact Broda Customer Care at 1-800-668-0637